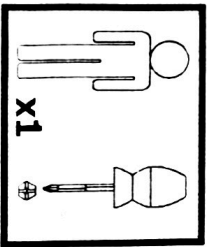
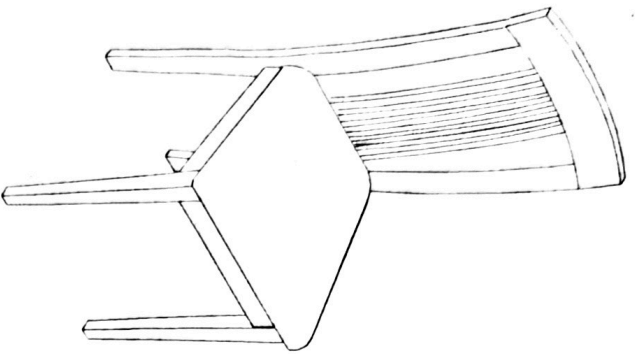
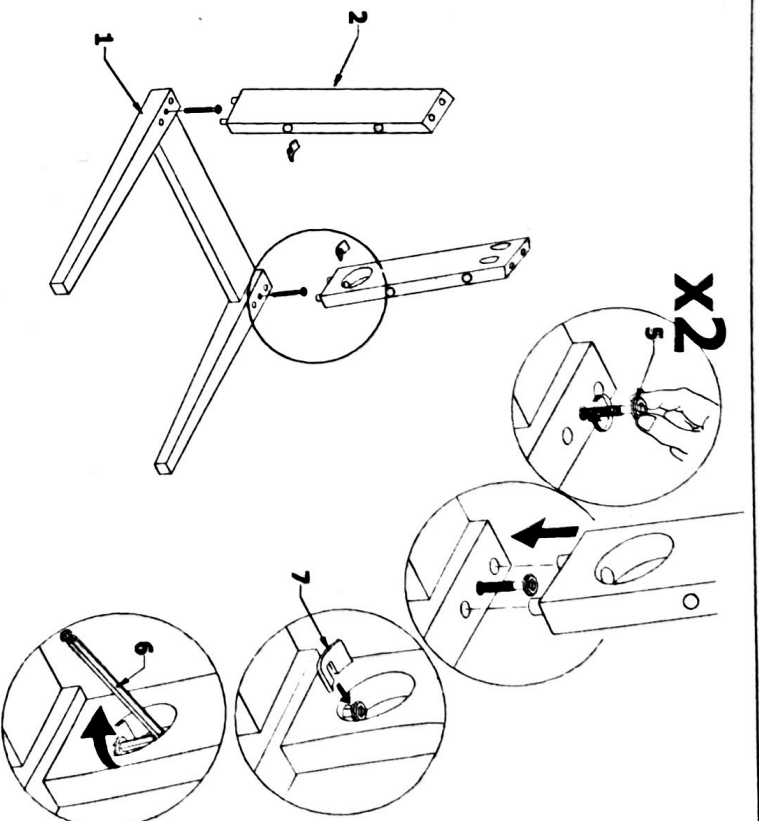


# BC-3940, BC-3950



|   |  |    |
|---|--|----|
| 1 |  | x1 |
| 2 |  | x2 |
| 3 |  | x1 |
| 4 |  | x1 |
| 5 |  | x6 |
| 6 |  | x1 |
| 7 |  | x2 |
| 8 |  | x4 |

1



2

